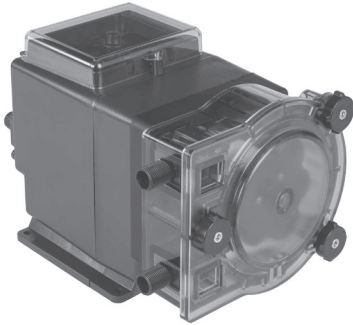


S128 MEDICATOR SPECIFICATIONS

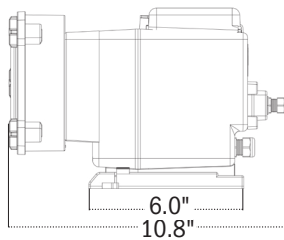
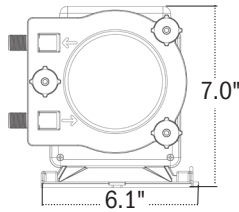
STENNER PUMPS®



THIS PUMP IS TESTED AND CERTIFIED BY NSF/ANSI ACCORDING TO ANSI/NSF 61 FOR CONTACT WITH SODIUM HYPOCHLORITE AND WATER ONLY AND NSF/ANSI 372.



Listings vary by model



Shipping Weight 9 lbs (3.7 kg)

FEATURES

- Injection of solutions at 1:128 ratio
- Speed adjusts to evenly inject solution at low flows
- Accepts pulse rates of 1 PPG, 10 PPG and 1 PPL
- Standby input option to stop or start pump remotely
- Leak detection with output relay
- Built-in dry contact signal repeater
- Accepts input from a fluid level device with output relay
- Totally enclosed housing
- 2 year warranty
- Self-priming, does not lose prime or vapor lock
- Simple tube replacement

ACCESSORIES

- 3 Connecting nuts 3/8"
- 1 Ball check valve
- 1 Weighted suction line strainer 3/8"
- 1 20' Roll suction/discharge tubing 3/8", white or UV black
- 1 Additional pump tube
- 1 Mounting bracket
- 1 Manual
- 1 Reference poster

SPECIFICATIONS

- Flow Rate Output Control** Fixed rate, interfaces with water meter
- Reproducibility** ±2%
- Maximum Working Pressure** 60 psi (4.1 bar)
- Maximum Suction Lift** 25 ft (7.6 m) vertical lift, based on water
- Motor Type** Brushless DC motor
- Shaft rpm** (average maximum) 45
- Duty Cycle** Continuous
- Maximum Viscosity** 1500 Centipoise
- Motor Voltage (Amp Draw)** 120V 60Hz 1PH (0.6)
- Power Cord Type** 120V 60Hz SJTOWA
- Power Cord Plug End** 120V 60Hz 5-15P
- Power Cord Length** 6 ft (1.8 m)
- Classification** Indoor/Outdoor

MATERIALS OF CONSTRUCTION

- All Housings** Polycarbonate
 - Pump Tube** Santoprene® (FDA approved)
 - Ball Check Valve Components**
Ceramic ball (FDA approved); Tantalum spring; FKM seat & O-ring OR
Ceramic ball (FDA approved); Stainless steel spring; EPDM seat; Santoprene® O-ring
 - Pump Head Rollers and Guide Rollers** Polyethylene
 - Roller Bushings** Oil impregnated bronze
 - Suction/Discharge Tubing** Polyethylene (FDA approved)
 - Tube Fittings, Injection Fittings** PVC or Polypropylene (both NSF listed)
 - Connecting Nuts** PVC or Polypropylene (both NSF listed)
 - Suction Line Strainer and Cap** PVC or Polypropylene, (both NSF listed); ceramic weight
 - All Fasteners** Stainless steel
 - Pump Head Thumbscrews** Stainless steel; PVC
 - Pump Head Support and Transition Sleeve** Santoprene®
 - Tube Pull** PVC
 - Leak Detect Components** Hastelloy®; Stainless steel
- NOTE: Refer to the chemical guide for material compatibility.
Santoprene® is a registered trademark of Celanese International Corporation.
Versilon® is a registered trademark of Saint-Gobain Performance Plastics.
Pellethane® is a registered trademark of Lubrizol Advanced Materials, Inc.
Hastelloy® is a registered trademark of Haynes International, Inc.

FLOW RATE OUTPUT

Pump Prefix	Pump Tube	Ounces per Minute	Milliliters per Minute
S4M8X	8X	10.0	295.7

— Approximate outputs @ 50/60Hz —

NOTICE: The information within this chart is solely intended for use as a guide. The output data is an approximation based on pumping water under a controlled testing environment. Many variables can affect the output of the pump. Stenner Pump Company recommends that all metering pumps undergo field calibration by means of analytical testing to confirm their outputs. The information contained in this flyer is not intended for specific application purposes. Stenner Pump Company reserves the right to make changes to prices, products, and specifications at any time without prior notice.



50 West Stoever Ave. • Myerstown, PA 17067
1-800-845-3374 • www.farmerboyag.com